

Buzzard

Features

- ✓ 6.5m, 7.25m or 8m reach
- ✓ 1.2m or 1.5m cutting heads
- ✓ Oil cooled as standard
- ✓ ICS fully proportional controls



ICS



Axle bracket



Road lights



Oil Cooler



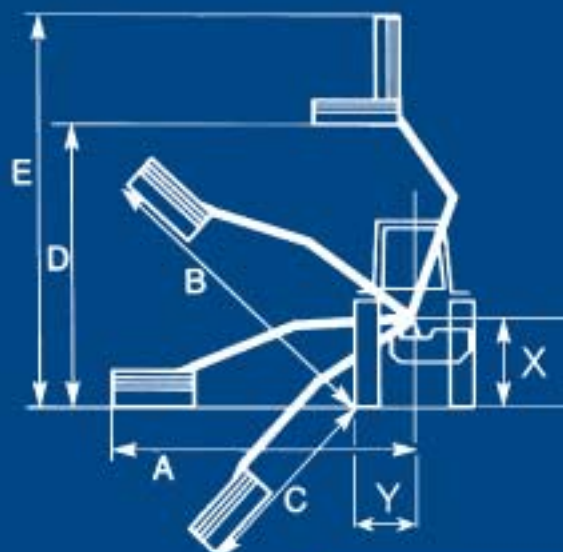
Arm float



Adjustable wear pads



VTB



	Buzzard 6.5T (21' 4")	Buzzard 7.25T (23' 9")	Buzzard 8.0T (26' 3")
A	6.5m 21' 4"	7.25m 23' 9"	8.0m 26' 3"
B	6.65m 22'	7.4m 24' 3"	8.13m 26' 9"
C	4.65m 15'	5.5m 18' 4"	6.23m 20' 4"
D	5.8m 19'	6.8m 22' 4"	6.9m 23' 11"
E	7.65m 25'	8.36m 27' 5"	8.84m 30' 2"
X	1.35m 4' 7"	1.35m 4' 7"	1.35m 4' 7"
Y	1m 3' 4"	1m 3' 4"	1m 3' 4"

Working reach dimensions
Head used for calcs: 1.2m Pro-Cut

	Buzzard 6.5T (21' 4")	Buzzard 7.25T (23' 9")	Buzzard 8.0T (26' 3")
--	-----------------------------	------------------------------	-----------------------------

Tractor requirements

Minimum horse power	80hp	80hp	80hp
Minimum weight	4500Kg	4750Kg	5000Kg

Base unit mounting options

Front mount	✗	✗	✗
Mid-mount	✗	✗	✗
Rear mount	•	•	•
Three point linkage (CAT II)	✗	✗	✗
Axle bracket	•	•	•

Overall machine parameters

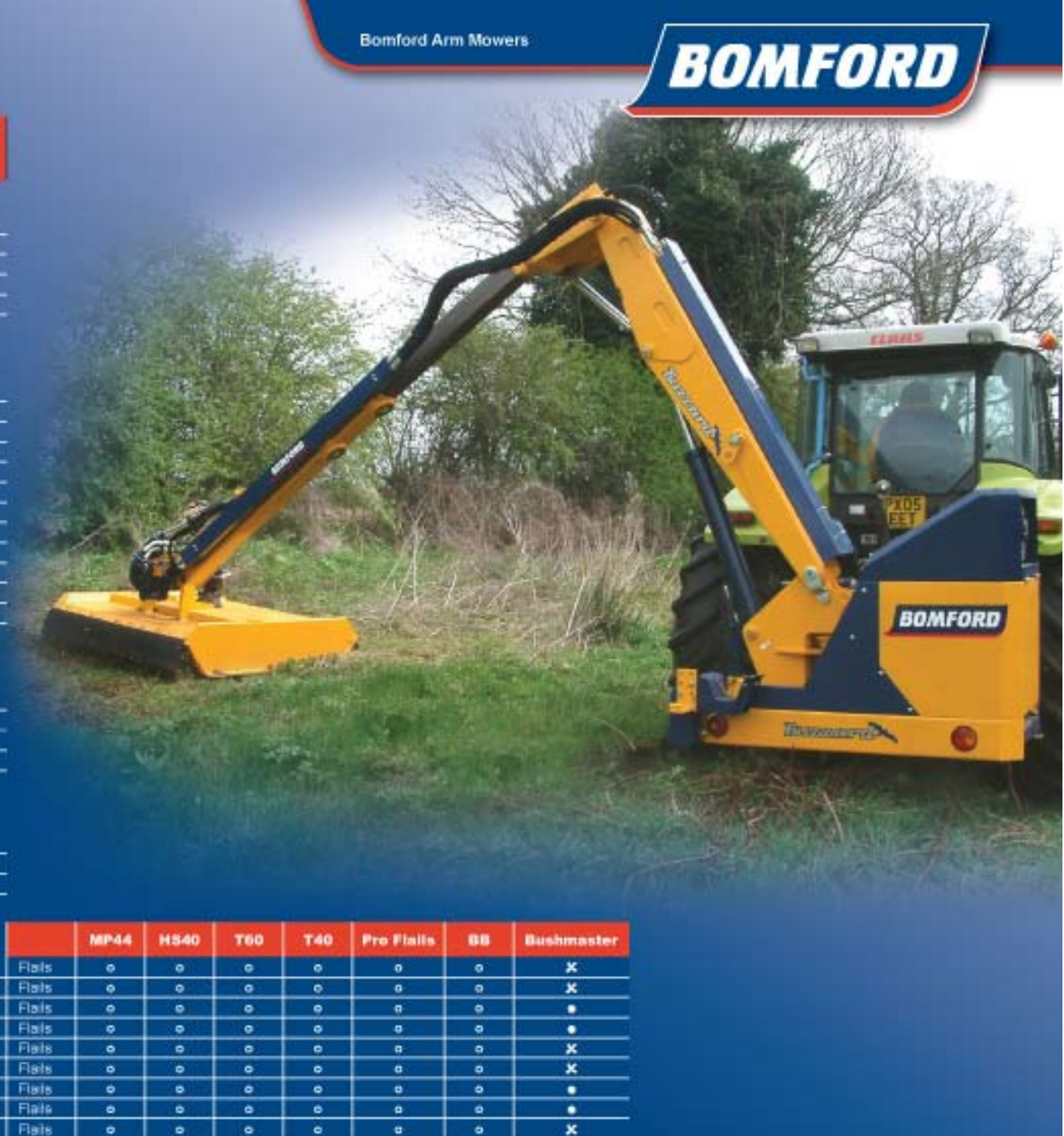
Weight of machine without oil or head	1670Kg	1700Kg	2100Kg
Capacity of oil tank	250Litres	250Litres	250Litres
Weight of machine with oil but without head	1870Kg	1900Kg	2300Kg

Hydraulic controls

Cable control (CC)	✗	✗	✗
Electronic proportional control (EPP)	✗	✗	✗
Intelligent control system (ICS)	•	•	•
Low pressure hydraulics (LPH)	✗	✗	✗
Cable rotor reverse	✗	✗	✗
Electronic rotor reverse	•	•	•

• = Standard
• = Optional
✗ = Not available

	Buzzard 6.5T (21' 4")	Buzzard 7.25T (23' 9")	Buzzard 8.0T (26' 3")									
Hydraulic system												
System capability	74/133hp	74/134hp	74/136hp									
Pump flow rate	125Litres	125Litres	125Litres									
Pump type (Gear / Piston / Helical)	G/P	G/P	G/P									
Pump arrangement (Twin / In-line)	T	T	T									
Independent hydraulics	•	•	•									
Oil cooler	•	•	•									
Arm features and main frame												
Forward arm	✗	✗	✗									
Forward arm reach (Fixed / Variable)	✗	✗	✗									
Telescopic arm	•	•	•									
Telescopic arm stroke	900mm	1300mm	1450mm									
Power slow	•	•	•									
Power slow angle	94°	94°	94°									
Gravity breakout	✗	✗	✗									
Hydraulic breakout	•	•	•									
Armload - electronic	•	•	•									
Headfloat - electronic	•	•	•									
Left hand cutting	○	○	○									
Right hand cutting	○	○	○									
Left & right hand cutting	✗	✗	✗									
Arm attachments available												
Variable track bracket (VTB)	○	○	○									
Cutter bar	○	○	○									
Bladed saw head (Blade Runner)	○	○	○									
Ditch cleaner	○	○	○									
Rotary head	○	○	○									
Accessories												
Road lights	•	•	•									
Debris blower	○	○	○									
Warning arrow (Magnetic / Fixed)	○	○	○									
Cab guard kit	•	•	•									
Cutting heads permitted												
1.2m Pro-Cut 115mm roller	○	○	○	Flails	○	○	○	○	○	○	○	✗
1.2m Pro-Cut with 150mm roller	○	○	○	Flails	○	○	○	○	○	○	○	✗
1.2m head ISMP with 115mm roller	○	○	○	Flails	○	○	○	○	○	○	○	•
1.2m head ISMP 150mm roller	○	○	○	Flails	○	○	○	○	○	○	○	•
1.5m Pro-Cut with 115mm roller	○	○	○	Flails	○	○	○	○	○	○	○	✗
1.5m Pro-Cut with 150mm roller	○	○	○	Flails	○	○	○	○	○	○	○	✗
1.5m head ISMP 115mm roller	○	○	○	Flails	○	○	○	○	○	○	○	•
1.5m head ISMP 150mm roller	○	○	○	Flails	○	○	○	○	○	○	○	•
2m HD head	○	○	○	Flails	○	○	○	○	○	○	○	✗



Buzzard Parallel

Features

- ✓ 6.5m, 7.25m or 8.0m reach
- ✓ Parallel arm
- ✓ Choice of flails
- ✓ 125 l/min independent hydraulics



ICS



Oil Cooler



Axle bracket



Arm float



Road lights



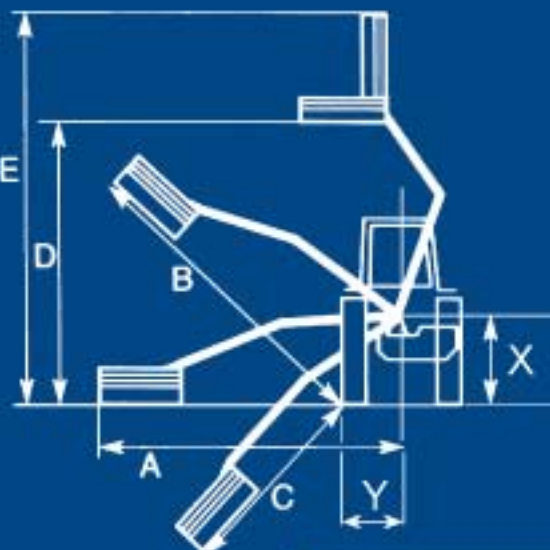
Parallel arm



VTB



Wearpads



	Buzzard 6.5T (21' 4")	Buzzard 7.25T (23' 9")	Buzzard 8.0T (26' 3")
A	6.5m 21' 4"	7.25m 23' 9"	8.0m 26' 3"
B	6.65m 22'	7.4m 24' 3"	8.15m 26' 9"
C	4.85m 16'	5.6m 18' 4"	6.2m 20' 4"
D	5.8m 19'	6.8m 22' 4"	7.3m 23' 11"
E	7.85m 25'	8.95m 27' 5"	9.2m 30' 2"
X	1.35m 4' 7"	1.35m 4' 7"	1.35m 4' 7"
Y	1m 3' 4"	1m 3' 4"	1m 3' 4"

Working reach dimensions

Head used for calcs: 1.2m Pro-Cut

	Buzzard 6.5T (21' 4")	Buzzard 7.25T (23' 9")	Buzzard 8.0T (26' 3")
A	6.5m 21' 4"	7.25m 23' 9"	8.0m 26' 3"
B	6.65m 22'	7.4m 24' 3"	8.15m 26' 9"
C	4.85m 16'	5.6m 18' 4"	6.2m 20' 4"
D	5.8m 19'	6.8m 22' 4"	7.3m 23' 11"
E	7.85m 25'	8.95m 27' 5"	9.2m 30' 2"
X	1.35m 4' 7"	1.35m 4' 7"	1.35m 4' 7"
Y	1m 3' 4"	1m 3' 4"	1m 3' 4"

Tractor requirements

Minimum horse power	60hp	60hp	60hp
Minimum weight	4500Kg	4750Kg	5000Kg

Base unit mounting options

Front mount	✗	✗	✗
Mid-mount	✗	✗	✗
Rear mount	•	•	•
Three point linkage (CAT II)	✗	✗	✗
Axle bracket	•	•	•

Overall machine parameters

Weight of machine without oil or head	1690Kg	1720Kg	2150Kg
Capacity of oil tank	250Litres	250Litres	250Litres
Weight of machine with oil but without head	1890Kg	1920Kg	2350Kg

Hydraulic controls

Cable control (CC)	✗	✗	✗
Electronic proportional control (EPP)	✗	✗	✗
Intelligent control system (ICS)	•	•	•
Low pressure hydraulics (LPH)	✗	✗	✗
Cable rotor reverse	✗	✗	✗
Electronic rotor reverse	o	o	o

• = Standard
o = Optional
✗ = Not available

	Buzzard 6.5T (21' 4")	Buzzard 7.25T (23' 9")	Buzzard 8.0T (26' 3")									
Hydraulic system												
System capability	74/133hp	74/134hp	74/136hp									
Pump flow rate	125Litres	125Litres	125Litres									
Pump type (Gear / Piston / Helical)	G	G	G									
Pump arrangement (Twin / In-line)	T	T	T									
Independent hydraulics	•	•	•									
Oil cooler	•	•	•									
Arm features and main frame												
Forward arm	✗	✗	✗									
Forward arm reach (Fixed / Variable)	✗	✗	✗									
Telescopic arm	✗	•	•									
Telescopic arm stroke	900mm	1300mm	1400mm									
Power slow	•	•	•									
Power slow angle	94°	94°	94°									
Gravity breakout	✗	✗	✗									
Hydraulic breakout	•	•	•									
Armfloat - electronic	•	•	•									
Headfloat - electronic	•	•	•									
Left hand cutting	○	○	○									
Right hand cutting	○	○	○									
Left & right hand cutting	✗	✗	✗									
Arm attachments available												
Variable track bracket (VTB)	○	○	○									
Cutter bar	○	○	○									
Bladed saw head (Blade Runner)	○	○	○									
Ditch cleaner	○	○	○									
Rotary head	○	○	○									
Accessories												
Road lights	•	•	•									
Debris blower	○	○	○									
Warning arrow (Magnetic / Fixed)	○	○	○									
Cab guard kit	•	•	•									
Cutting heads permitted												
1.2m Pro-Cut 115mm roller	○	○	○	Flats	○	○	○	○	○	○	○	✗
1.2m Pro-Cut with 150mm roller	○	○	○	Flats	○	○	○	○	○	○	○	✗
1.2m head ISMP with 115mm roller	○	○	○	Flats	○	○	○	○	○	○	○	•
1.2m head ISMP 150mm roller	○	○	○	Flats	○	○	○	○	○	○	○	•
1.5m Pro-Cut with 115mm roller	○	○	○	Flats	○	○	○	○	○	○	○	✗
1.5m Pro-Cut with 150mm roller	○	○	○	Flats	○	○	○	○	○	○	○	✗
1.5m head ISMP 115mm roller	○	○	○	Flats	○	○	○	○	○	○	○	•
1.5m head ISMP 150mm roller	○	○	○	Flats	○	○	○	○	○	○	○	•
2m HD head	○	○	○	Flats	○	○	○	○	○	○	○	✗



Buzzard Forward

Features

- ✓ 7.25m and 8m reach
- ✓ 250lit tank capacity
- ✓ Left or right hand build
- ✓ 94° hydraulic slew
- ✓ Twin pressure arm float
- ✓ 1200mm forward arm



Transport position



ICS



Oil Cooler



Third arm



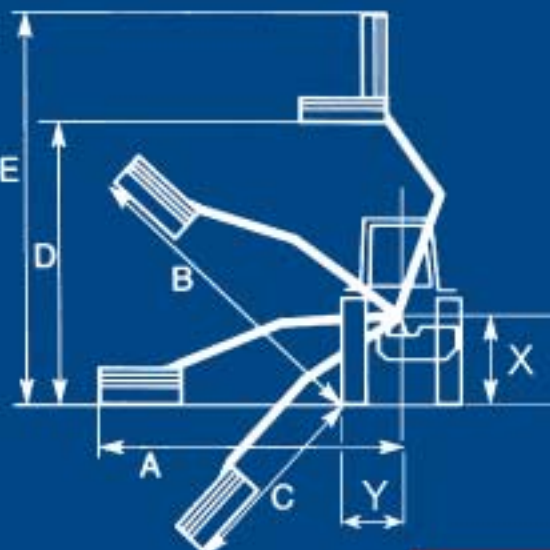
Head rest



VTB



Axle bracket



	Buzzard 7.25 (23' 9")	Buzzard 8.0 (26' 3")
A	7.25m 23' 9"	8.0m 26' 3"
B	7.4m 24' 3"	8.15m 26' 9"
C	5.6m 18' 4"	6.2m 20' 4"
D	6.8m 22' 4"	7.3m 23' 11"
E	8.35m 27' 5"	9.2m 30' 2"
X	1.35m 4' 7"	1.35m 4' 7"
Y	1m 3' 4"	1m 3' 4"

Working reach dimensions
Head used for calcs: 1.2m Pro-Cut

Tractor requirements

	Buzzard 7.25 (23' 9")	Buzzard 8.0 (26' 3")
Minimum horse power	80hp	80hp
Minimum weight	5000Kg	5250Kg

Base unit mounting Options

	Buzzard 7.25 (23' 9")	Buzzard 8.0 (26' 3")
Front mount	✗	✗
Mid-mount	✗	✗
Rear mount	•	•
Three point linkage (CAT II)	✗	✗
Axle bracket	•	•

Overall machine parameters

	Buzzard 7.25 (23' 9")	Buzzard 8.0 (26' 3")
Weight of machine without oil or head	2000Kg	2100Kg
Capacity of oil tank	250Litres	250Litres
Weight of machine with oil but without head	2200Kg	2300Kg

Hydraulic controls

	Buzzard 7.25 (23' 9")	Buzzard 8.0 (26' 3")
Cable control (CC)	✗	✗
Electronic proportional control (EPP)	✗	✗
Intelligent control system (ICS)	•	•
Low pressure hydraulics (LPH)	✗	✗
Cable rotor reverse	✗	✗
Electronic rotor reverse	•	•

• = Standard
◦ = Optional
✗ = Not available

	Buzzard 7.25 (23' 9")	Buzzard 8.0 (26' 3")									
Hydraulic System											
System capability	74/134hp	74/135hp									
Pump flow rate	125Litres	125Litres									
Pump type (Gear / Piston / Helical)	G	G									
Pump arrangement (Twin / In-line)	T	T									
Independent hydraulics	•	•									
Oil cooler	•	•									
Arm features and main frame											
Forward arm	•	•									
Forward arm reach (Fixed / Variable)	1300mm	1450mm									
Telescopic arm	✗	✗									
Telescopic arm stroke	✗	✗									
Power slow	•	•									
Power slow angle	94°	94°									
Gravity breakout	✗	✗									
Hydraulic breakout	•	•									
Armfloat - electronic	•	•									
Headfloat - electronic	•	•									
Left hand cutting	o	o									
Right hand cutting	o	o									
Left & right hand cutting	✗	✗									
Arm attachments available											
Variable track bracket (VTB)	✗	✗									
Cutter bar	o	o									
Bladed saw head (Blade Runner)	o	o									
Ditch cleaner	o	o									
Rotary head	o	o									
Accessories											
Road lights	•	•									
Debris blower	o	o									
Warning arrow (Magnetic / Fixed)	o	o									
Cab guard kit	•	•									
Cutting Heads permitted											
1.2m Pro-Cut 115mm roller	o	o	Flails	o	o	o	o	o	o	o	✗
1.2m Pro-Cut with 150mm roller	o	o	Flails	o	o	o	o	o	o	o	✗
1.2m head ISMP with 115mm roller	o	o	Flails	o	o	o	o	o	o	o	•
1.2m head ISMP 150mm roller	o	o	Flails	o	o	o	o	o	o	o	•
1.5m Pro-Cut with 115mm roller	o	o	Flails	o	o	o	o	o	o	o	✗
1.5m Pro-Cut with 150mm roller	o	o	Flails	o	o	o	o	o	o	o	✗
1.5m head ISMP 115mm roller	o	o	Flails	o	o	o	o	o	o	o	•
1.5m head ISMP 150mm roller	o	o	Flails	o	o	o	o	o	o	o	•
2m HD head	o	o	Flails	o	o	o	o	o	o	o	✗

