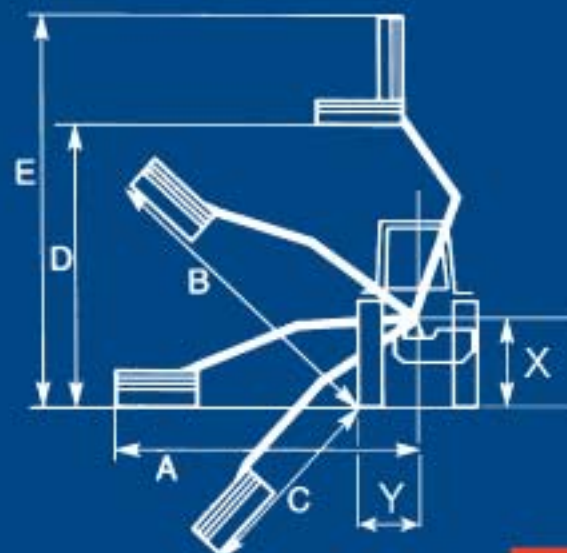


Kestrel E

Features

- ✓ 5m reach
- ✓ Choice of heads or 1.5m cutter bar
- ✓ Twin pump independent hydraulics
- ✓ Cat II three point linkage mounted
- ✓ Parallel standard

The Kestrel "E" is perfect for the farmer with professional features and robust design.



**Kestrel E
5m (16' 5")**

A	5.0m	16' 5"
B	4.8m	16' 1"
C	3.3m	10' 10"
D	4.3m	14' 1"
E	6.3m	20' 8"
X	1.25m	4' 2"
Y	1m	3' 4"

Working reach dimensions

Standard head used for calcs.

**Kestrel E
5m (16' 5")**

Tractor requirements

Minimum horse power	50hp
Minimum weight	2500Kg

Base unit mounting options

Front mount	○
Mid-mount	✗
Rear mount	●
Three point linkage (CAT II)	●
Axle bracket	✗
Sub-frame	✗
Yoke	✗

Overall machine parameters

Weight of machine without oil or head	575Kg
Capacity of oil tank	160Litres
Weight of machine with oil but without head	710Kg

Hydraulic controls

Cable control (CC)	●
Electronic proportional control (EPP)	○
Intelligent control system (ICS)	✗
Low pressure hydraulics (LPH)	✗
Cable rotor reverse	○
Electronic rotor reverse	○

● = Standard
○ = Optional
✗ = Not available



Cable control



Independent hydraulics



LPH



Non-parallel arm



Chain fitting



LW head

**Kestrel E
5m (16' 5")****Hydraulic system**

System capability	33hp
Pump flow rate	70L/min
Pump type (Gear / Piston / Helical)	G
Pump arrangement (Twin / In-line)	X
Independent hydraulics	•
Oil cooler	o

Arm features and main frame

Forward arm	X
Forward arm reach (Fixed / Variable)	X
Telescopic arm	X
Telescopic arm stroke	X
Power slow	X
Power slow angle	X
Gravity breakout	•
Hydraulic breakout	X
Armfloat - manual	o
Armfloat - electronic	o
Headfloat - manual	•
Headfloat - electronic	o
Left hand cutting	o
Right hand cutting	o
Left & right hand cutting	X

Arm attachments available

Variable track bracket (VTB)	X
Cutter bar	o
Bladed saw head (Blade Runner)	X
Ditch cleaner	X
Rotary head	X

Accessories

Road lights	o
Debris blower	X
Warning arrow (Magnetic / Fixed)	o
Cab guard kit	•

Cutting heads

1257mm LW with 102mm roller	o
1257mm LW with 150mm roller	o
1107mm MW with twin back to back, 115 roller	o
1.2m Pro-Trim head with 115 Roller	o
1.2m Pro-Trim head with 150mm roller	X
1.5m Pro-Trim head with 150 Roller	X
1.5m Pro-Trim head with 115 Roller	X
Rotary Head	X
Bladed saw head (Blade Runner)	X
Sheartrim Cutter bar	o

	MP44	HS40	T60	T40	Pro Flails	BB
Flails	o	•	X	X	X	o
Flails	•	o	X	X	X	o
Flails	X	X	X	X	X	•
Flails	o	o	o	o	o	o

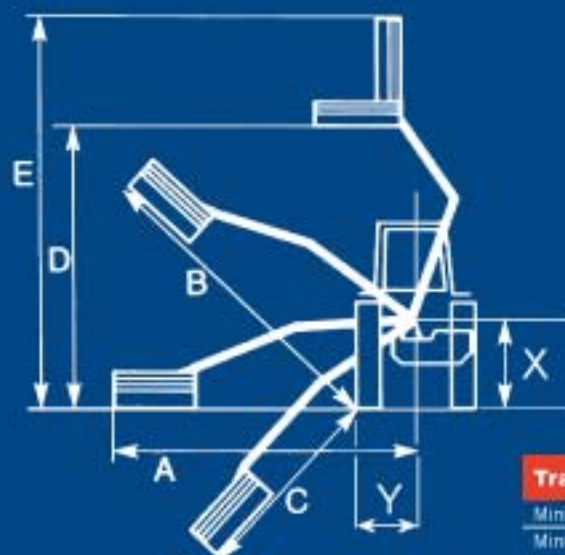


Kestrel S

Features

- ✓ 5m reach
- ✓ Parallel arm option
- ✓ Forward arm option
- ✓ Front mount option
- ✓ Choice of flails and heads
- ✓ Power slew

The Kestrel "S" has been designed to provide significant reach for farmers who need to keep weight in mind whilst retaining the versatile features of a more expensive machine.



	Kestrel S 5m (16' 5")	Kestrel S FWD 5m (16' 5")
A	5.0m 16' 5"	5.0m 16' 5"
B	4.98m 16' 1"	5.14m 16' 10"
C	3.41m 11' 9"	2.95m 9' 4"
D	4.05m 11' 10"	4.45m 14' 8"
E	5.7m 18'	6.29m 21' 5"
X	1.25m 4' 2"	1.25m 4' 2"
Y	1m 3' 4"	1m 3' 4"

Working reach dimensions
Standard head used for calcs:



Tractor requirements

	Kestrel S 5m (16' 5")
Minimum horse power	50hp
Minimum weight	3000Kg

Base unit mounting options

Front mount	✗
Mid-mount	✗
Rear mount	○
Three point linkage (CAT I)	○
Three point linkage (CAT II)	○
Three point linkage (CAT III)	✗
Axle bracket	✗
Sub-frame	✗
Yoke	✗

Overall machine parameters

Weight of machine without oil or head	685kg
Capacity of oil tank	160Litres
Weight of machine with oil but without head	830kg

Hydraulic controls

Cable control (CC)	●
Electronic proportional control (EPP)	○
Intelligent control system (ICS)	○
Low pressure hydraulics (LPH)	○
Cable rotor reverse	○
Electronic rotor reverse	○

● = Standard
○ = Optional
✗ = Not available

**Kestrel 3
5m (16' 5")****Hydraulic system**

System capability	54hp
Pump flow rate	84Litres
Pump type (Gear / Piston / Helical)	G
Pump arrangement (Twin / In-line)	T
Independent hydraulics	•
Oil cooler	•

Arm features and main frame

Forward arm	•
Forward arm reach (Fixed / Variable)	600mm
Telescopic arm	✗
Telescopic arm stroke	✗
Power slow	•
Power slow angle	90°
Gravity breakout	✗
Hydraulic breakout	•
Armfloat - manual	•
Armfloat - electronic	•
Headfloat - manual	•
Headfloat - electronic	•
Left hand cutting	•
Right hand cutting	•
Left & right hand cutting	✗

Arm attachments available

Variable track bracket (VTB)	✗
Cutter bar	•
Bladed saw head (Blade Runner)	✗
Ditch cleaner	✗
Rotary head	✗

Accessories

Road lights	•
Debris blower	•
Warning arrow (Magnetic / Fixed)	•
Cab guard kit	•

Cutting heads permitted

1.2m Pro-Trim head with 115 Roller	•
1.2m Pro-Trim head with 150mm roller	•
Rotary Head	✗
Bladed saw head (Blade Runner)	✗
Sheartrim Cutterbar	•

	MP44	HS40	T60	T40	Pro Flails	BB
Flails	•	•	•	•	•	•
Flails	•	•	•	•	•	•

